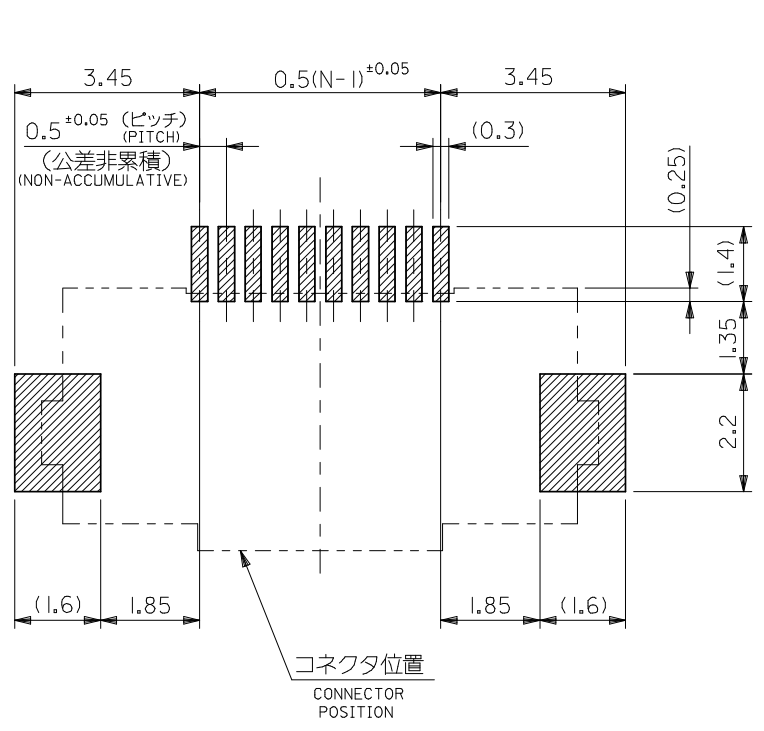


注記 NOTES

1. 使用材料 MATERIAL
 ハウジング : 46ナイロン, UL94V-0
 HOUSING : 46NYLON
 アクチュエータ : PPS, UL94V-0
 ACTUATOR
 ターミナル : リン青銅 (t=0.2), ニッケル下地錫ビスマスメッキ
 TERMINAL : PHOS-BRO, TIN-BISMUTH OVER NICKEL PLATED
 金具 : リン青銅 (t=0.2), ニッケル下地錫メッキ
 FITTING NAIL : PHOS-BRO, TIN OVER NICKEL PLATED
- △ パターンはくり止め用金具
 FITTING NAIL FOR PREVENTION OF PEELING OF P.C.B. PATTERN.
- △ ソルダーテール半田付け面のスレ量, 及び金具半田付け面のスレ量は, 基準面
 に対し上方向 0.05MAX. 下方向 0.2MAX. とする。
 MISALIGNMENT OF SOLDER TAILS AND FITTING NAILS FROM
 UPPER DIRECTION: 0.05 MAX., LOWER DIRECTION: 0.2 MAX.
- △ 偶数極に適用。
 APPLY FOR EVEN CIRCUIT.
5. 本製品は52892-**-17の鉛フリー品である。
 THIS PRODUCT IS LEAD FREE OF 52892-**-17

19.6	15.5	14.57	14.5	52892-3095	52892-3019	30
18.6	14.5	13.57	13.5	-2895	-2819	28
17.6	13.5	12.57	12.5	-2695	-2619	26
16.6	12.5	11.57	11.5	-2495	-2419	24
15.6	11.5	10.57	10.5	-2295	-2219	22
14.6	10.5	9.57	9.5	-2095	-2019	20
14.1	10.0	9.07	9.0	-1995	-1919	19
13.6	9.5	8.57	8.5	-1895	-1819	18
13.1	9.0	8.07	8.0	-1795	-1719	17
12.6	8.5	7.57	7.5	-1695	-1619	16
12.1	8.0	7.07	7.0	-1595	-1519	15
11.6	7.5	6.57	6.5	-1495	-1419	14
11.1	7.0	6.07	6.0	-1395	-1319	13
10.6	6.5	5.57	5.5	-1295	-1219	12
10.1	6.0	5.07	5.0	-1195	-1119	11
9.6	5.5	4.57	4.5	-1095	-1019	10
8.6	4.5	3.57	3.5	52892-0895	52892-0819	8
D	C	B	(A)	EMBOSSED TAPE ORDER No. オーダー番号	MATERIAL NO.	極数 CIRCUIT

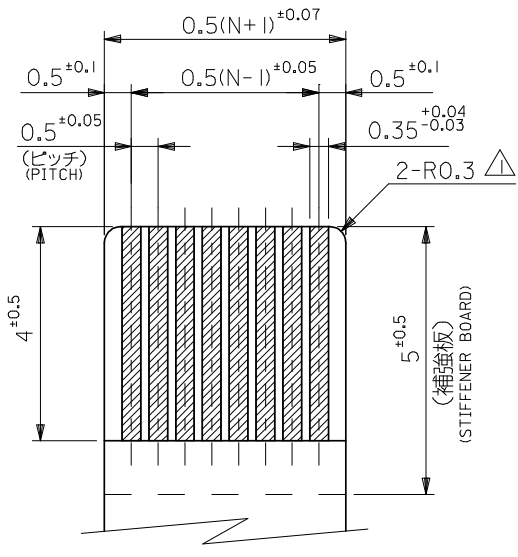
REVISED EC NO: J2008-4308 DRWN: NABEI 2008/06/27 CHKD: THARUYAMA 2008/06/30 APPR: NUKITA 2008/06/30	GENERAL TOLERANCES (UNLESS SPECIFIED)		DIMENSION STYLE MM ONLY		SCALE ---	DESIGN UNITS METRIC	THIRD ANGLE PROJECTION
	10 UNDER	±0.2	DRAWN BY M. NABEI	DATE 2004/01/09	TITLE 0.5 FPC CONN ASSY ZIF SMT RA(BTM CONT) E/O -LEAD FREE- MOLEX INCORPORATED		
	10 OVER 30 UNDER	±0.25	CHECKED BY M. SASAO	DATE 2004/01/09			
	30 OVER	±0.3	APPROVED BY M. SASAO	DATE 2004/01/09			
	ANGULAR	±3°	MATERIAL NO.				
DRAFT WHERE APPLICABLE MUST REMAIN WITHIN DIMENSIONS		SEE TABLE		DOCUMENT NO. SD-52892-040			



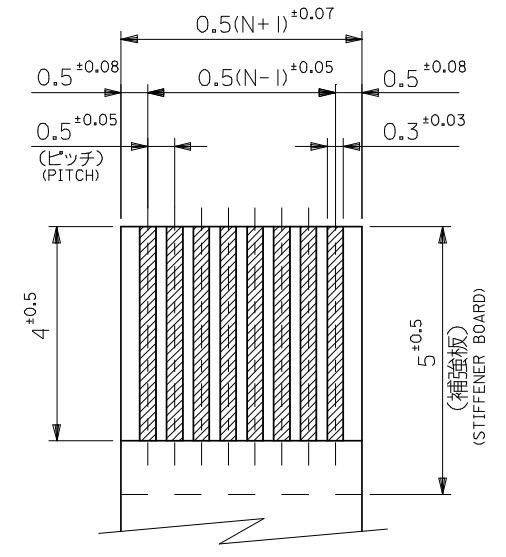
参考基板レイアウト
RECOMMENDED P.C.BOARD
PATTERN DIMENSION (REF.)
(マウント面)
(MOUNTING SIDE)

注記 NOTES

△ R0.3は、FPCの導体部にかからないこと。
R0.3 MUST NOT BE OVERLAPPED TO PATTERN OF FPC.



適合FPC推奨寸法
APPLICABLE FPC
RECOMMENDED DIMENSION
(仕上がり厚さ: 0.3±0.03)
(THICKNESS: 0.3±0.03)



適合FFC推奨寸法
APPLICABLE FFC
RECOMMENDED DIMENSION
(仕上がり厚さ: 0.3±0.03)
(THICKNESS: 0.3±0.03)

2. FPCについて:

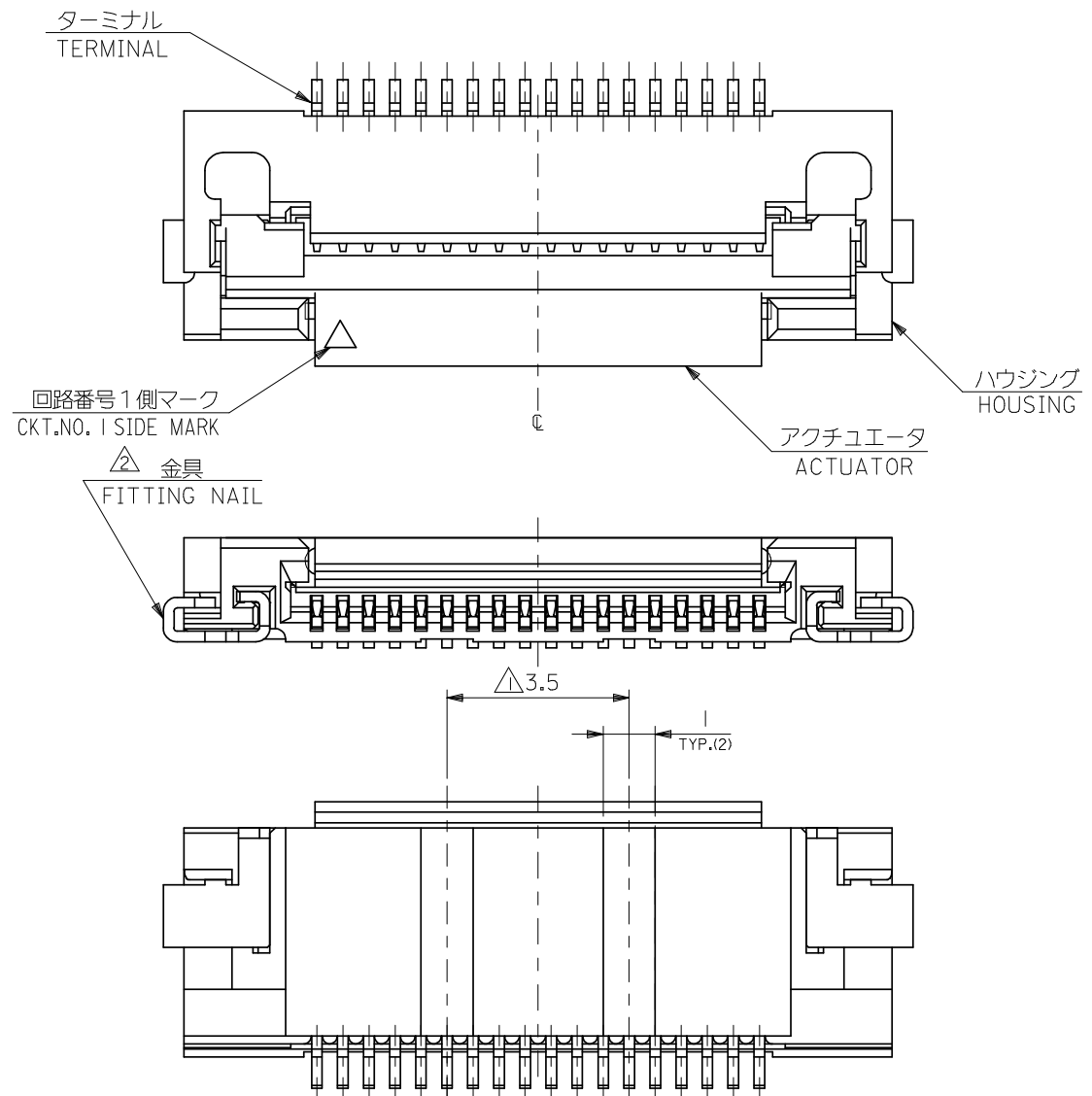
打抜き方向は導体側から補強板側を推奨致します。
補強フィルム材質はポリイミドを推奨致します。
接着剤は熱硬化接着剤を推奨致します。

ABOUT FPC:

RECOMMENDED PUNCHER DIRECTION : FROM CONDUCTOR SIDE TO STIFFENER BOARD SIDE.
RECOMMENDED MATERIAL:
STIFFENER FILM : POLYIMIDE
BONDING AGENT : THERMOSETTING BONDING AGENT

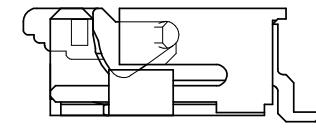
52892-**19	MODEL NO.
DESIGN UNITS METRIC	THIRD ANGLE PROJECTION

REVISED EC NO: J2008-4308 DRWN: NABEI 2008/06/27 CHKD: THARUYAMA 2008/06/30 APPR: NUKITA 2008/06/30	DESCRIPTION REV	GENERAL TOLERANCES (UNLESS SPECIFIED)		DIMENSION STYLE MM ONLY		SCALE ---	TITLE		
		10 UNDER	±0.2	DRAWN BY M. NABEI	DATE 2004/01/09	0.5 FPC CONN ASSY ZIF SMT RA(BTM CONT) E/O -LEAD FREE-			
		10 OVER 30 UNDER	±0.25	CHECKED BY M. SASAO	DATE 2004/01/09				
		30 OVER	±0.3	APPROVED BY M. SASAO	DATE 2004/01/09				
		ANGULAR	±3 °	MATERIAL NO.		DOCUMENT NO.		SHEET NO.	
DRAFT WHERE APPLICABLE MUST REMAIN WITHIN DIMENSIONS		SEE SHEET 1		SD-52892-040		2 OF 3			
THIS DRAWING CONTAINS INFORMATION THAT IS PROPRIETARY TO MOLEX INCORPORATED AND SHOULD NOT BE USED WITHOUT WRITTEN PERMISSION									



金型変更に伴う形状変更品形状図
 APPLY CHANGED FORM AT CHANGED DIE

注記 NOTES
 △ 18極以上は2ヶ所、10~16極はハウジングセンター上に1ヶ所とする。
 18 CKTS & MORE THAN 18 CKTS PLACED 2 POINT.
 10~16 CKTS PLACED 1 POINT ON HOUSING CENTER.

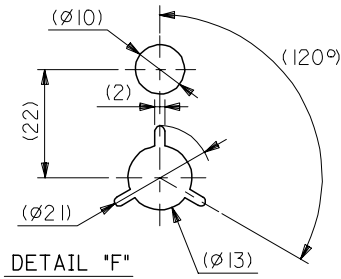
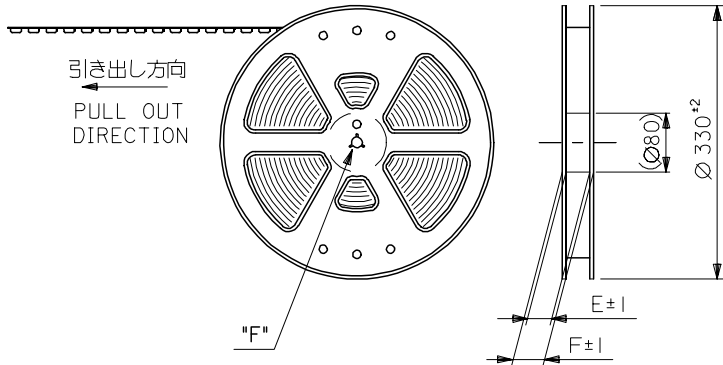


REVISED	DESCRIPTION
EC NO: J2008-4308	2008/06/27
DRWN: NABEI	2008/06/30
CHKD: THARUYAMA	2008/06/30
APPR: NUKITA	2008/06/30
REV B	

GENERAL TOLERANCES (UNLESS SPECIFIED)	
10 UNDER	±0.2
10 OVER 30 UNDER	±0.25
30 OVER	±0.3
ANGULAR	±3 °
DRAFT WHERE APPLICABLE MUST REMAIN WITHIN DIMENSIONS	

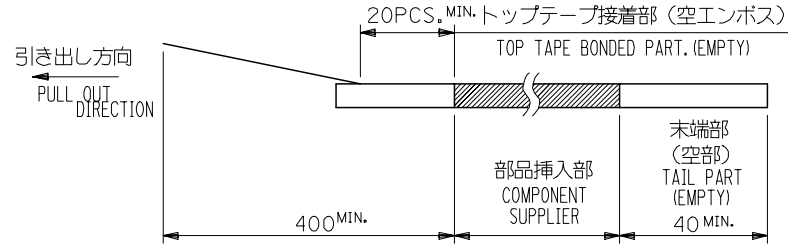
DIMENSION STYLE		SCALE
MM ONLY		---
DRAWN BY	DATE	TITLE
M. NABEI	2004/01/09	0.5 FPC CONN ASSY ZIF SMT RA(BTM CONT) E/O -LEAD FREE-
CHECKED BY	DATE	
M. SASAO	2004/01/09	
APPROVED BY	DATE	MOLEX INCORPORATED
M. SASAO	2004/01/09	
MATERIAL NO.	DOCUMENT NO.	SHEET NO.
SEE SHEET 1	SD-52892-040	3 OF 3

52892-**19	MODEL NO.
DESIGN UNITS	THIRD ANGLE PROJECTION
METRIC	

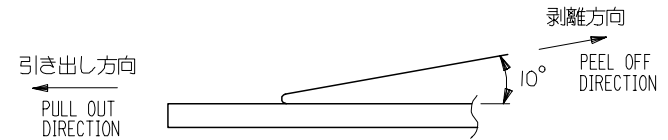


注記 NOTES

- 製品詳細寸法については図面 SD-52892-040 を参照下さい。
RE DETAILED DIMENSION, SEE SD-52892-040
- 梱包数量：1000個/リール
NUMBER OF CONNECTORS：1000PCS/REEL
- リードテープ長さ LEAD TAPE LENGTH



- トップテープの剥離強度： 0.1N ~ 1.3N(10 ~ 130gf)
(剥離方向は下図参照)
尚、本規格値は出荷時に適用。(但し、輸送時に剥離が発生しないこと。)
PEELING OFF FORCE OF TOP TAPE：0.1N ~ 1.3N(10 ~ 130gf)
(PEELING DIRECTION AS SHOWN IN FOLLOWING FIG.)
THIS REQUIREMENT SHOULD BE APPLIED AT SHIPMENT.
PEEL OFF SHOULD NOT BE ALLOWED, DURING TRANSPORTATION.

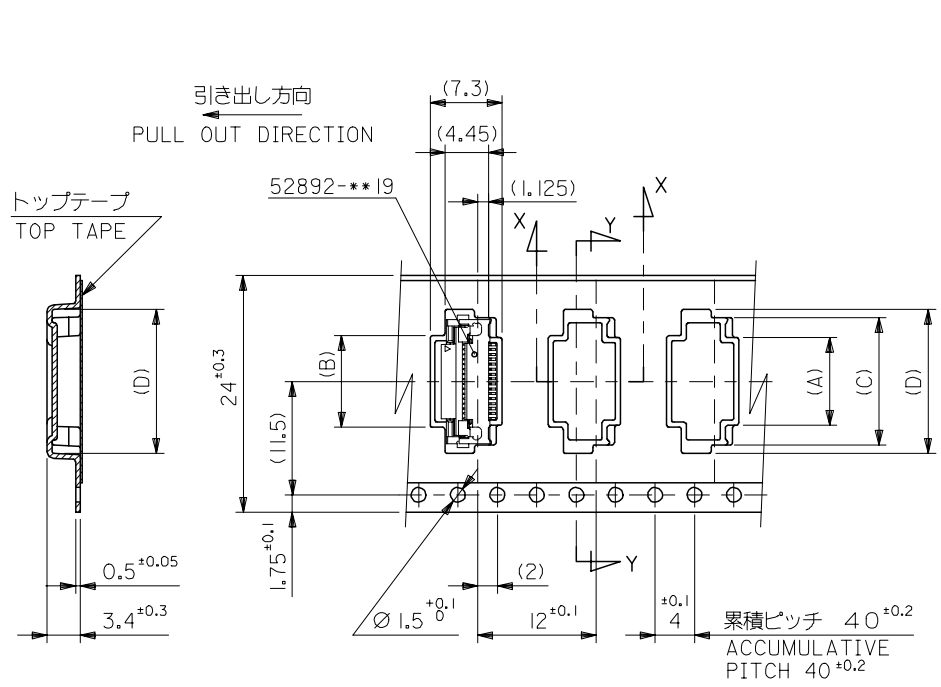


- 材料(MATERIAL)
キャリアテープ(CARRIER TAPE)：ポリプロピレン(POLYPROPYLENE)
トップテープ(TOPTAPE)：PET, PE, PEF
リール(REEL)：ポリスチレン (PS) <リサイクル材を含む>
POLYSTYRENE (PS) <RECYCLE MATERIAL CONTAINED>
- 本製品は52892-**-90の鉛フリー品である。
THIS PRODUCT IS LEAD FREE OF 52892-**-90

REVISED EC NO: J2005-1026 DRWN: SASAMOR 2004/10/06 CHYKDK: TOJO 2004/10/07 APPR: NUKITA 2004/10/12	GENERAL TOLERANCES (UNLESS SPECIFIED)		DIMENSION STYLE MM ONLY		SCALE ---	DESIGN UNITS METRIC	THIRD ANGLE PROJECTION	
	10 UNDER	±0.2	DRAWN BY M. NABEI	DATE 2004/01/09	TITLE EMBOSSD TAPE PACKAGE FOR 0.5 FPC CONN. -LEAD FREE-			
	10 OVER 30 UNDER	±0.25	CHECKED BY M. SASAO	DATE 2004/01/09	MOLEX INCORPORATED			
	30 OVER	±0.3	APPROVED BY M. SASAO	DATE 2004/01/09	DOCUMENT NO. SD-52892-041 SHEET NO. 1 OF 2			
A	DESCRIPTION	DRAFT WHERE APPLICABLE MUST REMAIN WITHIN DIMENSIONS		MATERIAL NO. 52892-**-95	THIS DRAWING CONTAINS INFORMATION THAT IS PROPRIETARY TO MOLEX INCORPORATED AND SHOULD NOT BE USED WITHOUT WRITTEN PERMISSION			

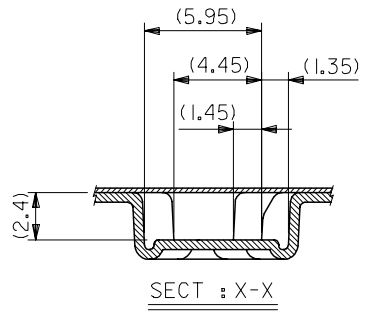
10 9 8 7 6 5 4 3 2 1

F
E
D
C
B
A

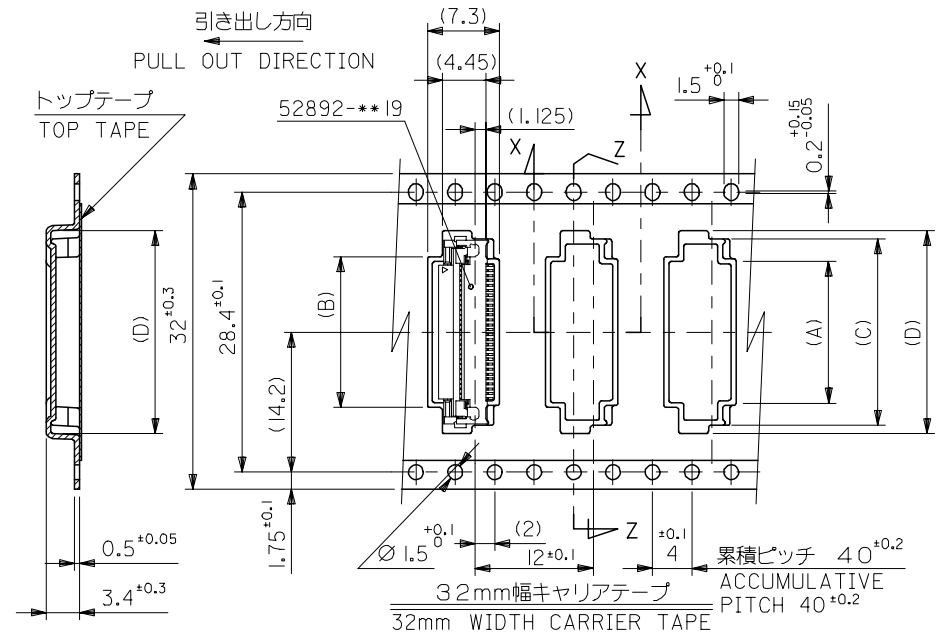


SECT : Y-Y

24mm幅キャリアテープ
24mm WIDTH CARRIER TAPE



SECT : X-X



SECT : Z-Z

32mm幅キャリアテープ
32mm WIDTH CARRIER TAPE

32	37.4	33.4	21.6	19.9	16.1	15.9	52892-3095	30		
			20.6	18.9	15.1	14.9	-2895	28		
			19.6	17.9	14.1	13.9	-2695	26		
			18.6	16.9	13.1	12.9	-2495	24		
			17.6	15.9	12.1	11.9	-2295	22		
			16.6	14.9	11.1	10.9	-2095	20		
			16.1	14.4	10.6	10.4	-1995	19		
			15.6	13.9	10.1	9.9	-1895	18		
			15.1	13.4	9.6	9.4	-1795	17		
			14.6	12.9	9.1	8.9	-1695	16		
24	29.4	25.4	14.1	12.4	8.6	8.4	-1595	15		
			13.6	11.9	8.1	7.9	-1495	14		
			13.1	11.4	7.6	7.4	-1395	13		
			12.6	10.9	7.1	6.9	-1295	12		
			12.1	10.4	6.6	6.4	-1195	11		
			11.6	9.9	6.1	5.9	-1095	10		
			10.6	8.9	5.1	4.9	52892-0895	8		
			キャリアテープ幅 CARRIER TAPE WIDTH							極数 CIRCUIT
			F	E	(D)	(C)	(B)	(A)	MATERIAL NO.	

REVISED EC NO: J2005-1026 DRWN: SASAMOR 2004/10/06 CHKDK: TOJO 2004/10/07 APPR: NUKITA 2004/10/12	GENERAL TOLERANCES (UNLESS SPECIFIED)		DIMENSION STYLE MM ONLY		SCALE ---	DESIGN UNITS METRIC	THIRD ANGLE PROJECTION	
	10 UNDER	±0.2	DRAWN BY M. NABEI		DATE 2004/01/09	TITLE EMBOSSED TAPE PACKAGE FOR 0.5 FPC CONN. -LEAD FREE-		
	10 OVER 30 UNDER	±0.25	CHECKED BY M. SASAO		DATE 2004/01/09	MOLEX INCORPORATED		
	30 OVER	±0.3	APPROVED BY M. SASAO		DATE 2004/01/09	DOCUMENT NO. SD-52892-041		
	ANGULAR	±3	MATERIAL NO. 52892-***95		SIZE A3	SHEET NO. 2 OF 2		
DRAFT WHERE APPLICABLE MUST REMAIN WITHIN DIMENSIONS								